



## OCM F

Flow Meter for part filled and full Pipes, Channels and Flumes

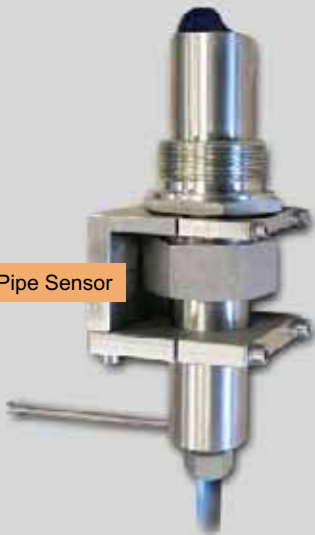


- Latest fourth-generation and intelligent Doppler technology
- Sufficient for all channel shapes
- Easy mounting without additional constructions
- Cables can be easily extended
- Easy, multilingual programming in dialog mode
- All putputs can be simulated
- Measurement in heavily polluted and abrasive media
- Integrated 3-step controller
- Mechanically protected pressure measurement cell
- Reasonable purchase costs

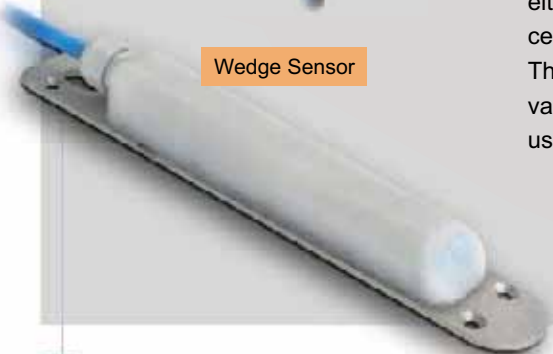
## OCM F

OCM F is a reliable flow meter designed for continuous flow measurement and controlling for slight to heavily polluted media in part filled and full pipes, channels and flumes.

Pipe Sensor



Wedge Sensor



### General Discription

The OCM F flow metering system utilizes a fully bidirectional ultrasonic velocity sensor.

Level measurement can be carried out either by a sensor-integrated pressure cell or by using an external sensor.

The transmitter can be powered with various voltages depending on the type used.

### Operation / Programming

Thanks to the intuitive user interface it is very easy to set up the OCM F for the requirements of various applications.

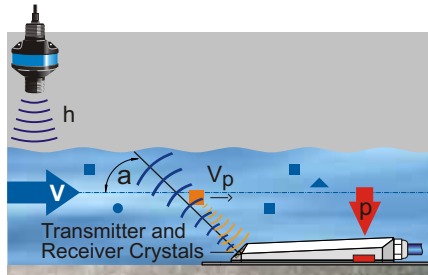
Programmed settings are indicated clearly. This virtually eliminates malfunction due to faulty programming.

Current readings are indicated clearly on the large back-lit graphic display.

## Typical Applications for OCM F

- wastewater treatment plants
- permanent measurements on storm water basin, storm water retention basin, storm water sedimentation tank
- direct discharger control, investigation of extraneous water or leakage
- industrial wastewater networks
- industrial flow measurements
- irrigation systems
- inlets and outlets conducting cooling water or circulation systems
- sluice stages in rivers
- hydroelectric and thermic power plants
- measurement campaigns in channel networks
- MCERTS applications
- and many more

## How the OCM F measures



$p$  = Level measurement with pressure (combi sensor)  
 $h$  = Level measurement with ultrasound (external sensor)  
 $V_p$  = Particle velocity  
 $a$  = Transmission angle between ultrasound and flow direction

direct proportional to the particle velocity. The flow velocity can be determined from this frequency shift subsequently. From the flow profile and the multitude of reflecting particles a frequency spectrum results. This spectrum, suitable for hydraulic assessment of measurement places, can be indicated on the OCM F display. The newly developed intelligent Doppler sensor directly detects and evaluates the flow velocity.

### Diagnostics / Simulation

The status of analog and digital inputs and outputs can be requested and indicated directly.

The variety of simulation options allows optimum commissioning and the best possible system diagnostics.

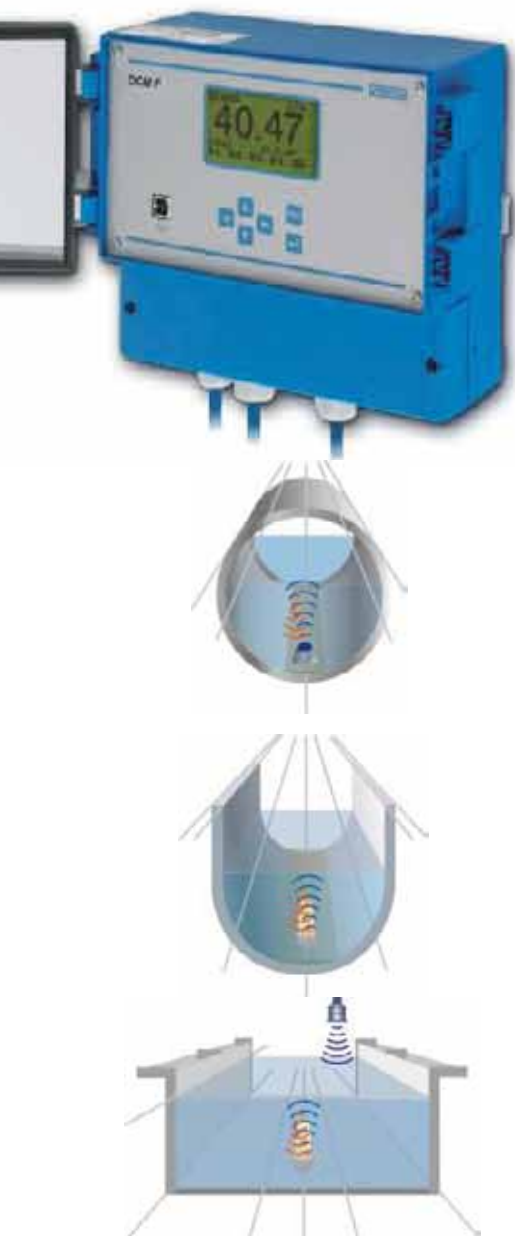
Errors which might occur will be saved and can be recalled and indicated directly on the unit display.

### Measurement principle

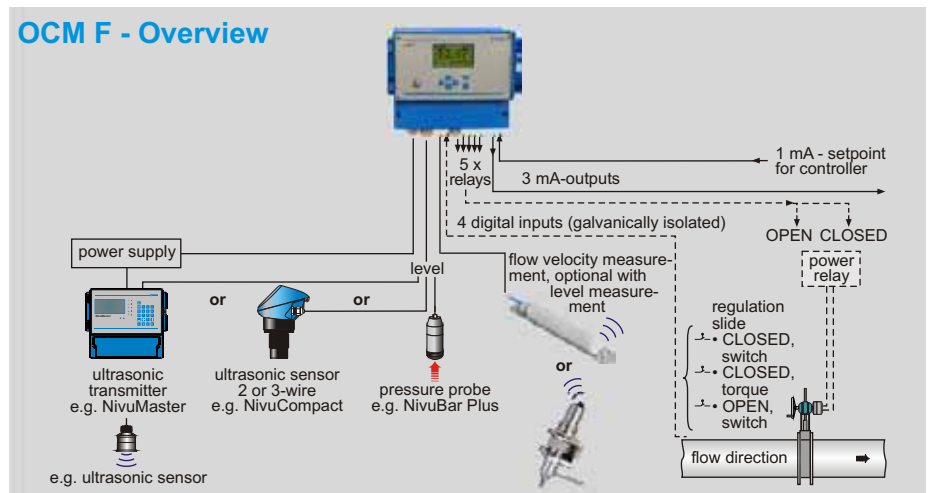
The measurement principle is based on the classic Doppler method where an ultrasonic signal with a defined frequency is transmitted into a liquid with a known angle.

A portion of the ultrasound energy is reflected by the solid particles or gas bubbles carried with the liquid.

Due to the movement of the particles a frequency distortion occurs which is

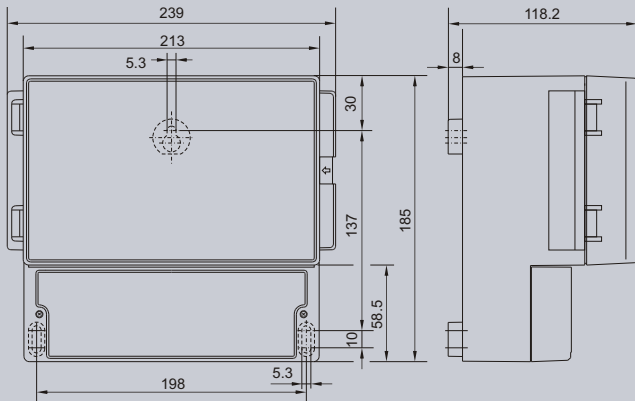


### OCM F - Overview



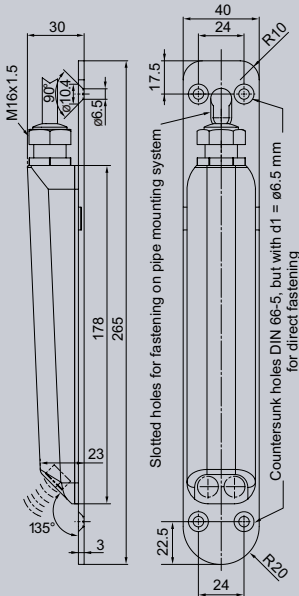
# Specifications

## Transmitter



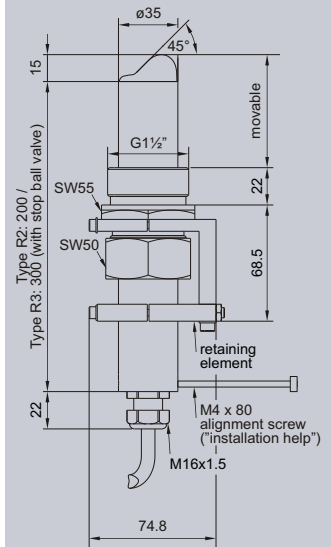
Wall mount enclosure also suitable for DIN-rail mounting. Dimensions in mm

## Wedge Sensor



Dimensions in mm

## Pipe Sensor



Dimensions in mm

## Transmitter

Power supply	<ul style="list-style-type: none"> <li>• 100 to 240 V AC, +10 % / -15 %, 47 to 63 Hz or</li> <li>• 24 V DC ±15 %, 5 % residual ripple</li> </ul>
Power consumption	18 VA (7 VA typical)
Wall mount enclosure	<ul style="list-style-type: none"> <li>• material: Polycarbonate (NEMA 4)</li> <li>• weight: approx. 1200 g</li> <li>• protection: IP 65</li> </ul>
Ex approval (option)	II(2)G [Ex ib] IIB
Operating temperature	-20 °C to +60 °C
Storage temperature	-30 °C to +70 °C
Max. humidity	90 %, non-condensing
Display	LCD, 128 x 64 pixel, back-lit graphic display
Operation	6 button keypad menus in German, English, French and Polish
Input	<ul style="list-style-type: none"> <li>• 1 x 4–20 mA for external level (2-wire-sensor)</li> <li>• 2 x 0/4–20 mA with 12 bit resolution for external level and external setpoint</li> <li>• 4 x digital input</li> <li>• 1 active compact Doppler sensor connectable (flow velocity; combi sensor with additional level measurement)</li> </ul>
Outputs	<ul style="list-style-type: none"> <li>• 3 x 0/4–20 mA, load 500 Ohm, 12 bit resolution, deviation 0.1 %</li> <li>• 5 relays (SPDT) loadable up to 230 V AC / 2 A (cos 0.9)</li> </ul>
Regulator	3-step controller, quick-close control, adjustable slide position at disturbance, auto flush function in case of blocked slide valve

## Sensors

Measurement principle	<ul style="list-style-type: none"> <li>• Doppler (flow velocity)</li> <li>• piezo-resistive pressure measurement (level measurement)</li> </ul>
Measurement frequency	<ul style="list-style-type: none"> <li>• wedge sensors 1 MHz</li> <li>• pipe sensors 750 kHz</li> </ul>
Protection	IP 68
Ex approval (option)	II 2 G Ex ib IIB T4
Operation temperature	-20 °C to +50 °C (-20 °C to +40 °C in Ex zone 1)
Operating pressure	<ul style="list-style-type: none"> <li>• combi sensor with pressure measurement (only wedge sensor): max. 1 bar</li> <li>• sensors without pressure measurement: max. 4 bar</li> </ul>
Cable length	10/15/20/30/50/100 m pre-configured; special length upon request
Constructions	<ul style="list-style-type: none"> <li>• wedge sensor for installation on channel bottom</li> <li>• pipe sensor incl. retaining element for installation in pipes</li> </ul>
<b>Flow Velocity Measurement</b>	
Measurement range	-600 cm/s to +600 cm/s
Measurement uncertainty	±1 % of final values of measurement range
zero point drift	absolutely stable zero point
Sonic lobe	±5 degrees
<b>Temperature Measurement</b>	
Measurement range	-20 °C to +60 °C
Measurement uncertainty	±0.5 K
<b>Level Measurement - Pressure</b>	
Measurement range	0 to 350 cm
Zero point drift	max. 0.75 % of final value (0 - 50 °C)
Measurement uncertainty (standing medium)	<0.5 % of final value

You can find more information in the instruction manual or on [www.nivus.com](http://www.nivus.com)