

Applications



For a long pump operation

WILO Submersible Pumps for applications in boreholes and wells for pumping groundwater.

These pumps are vertically installed and suspended at the rising main.



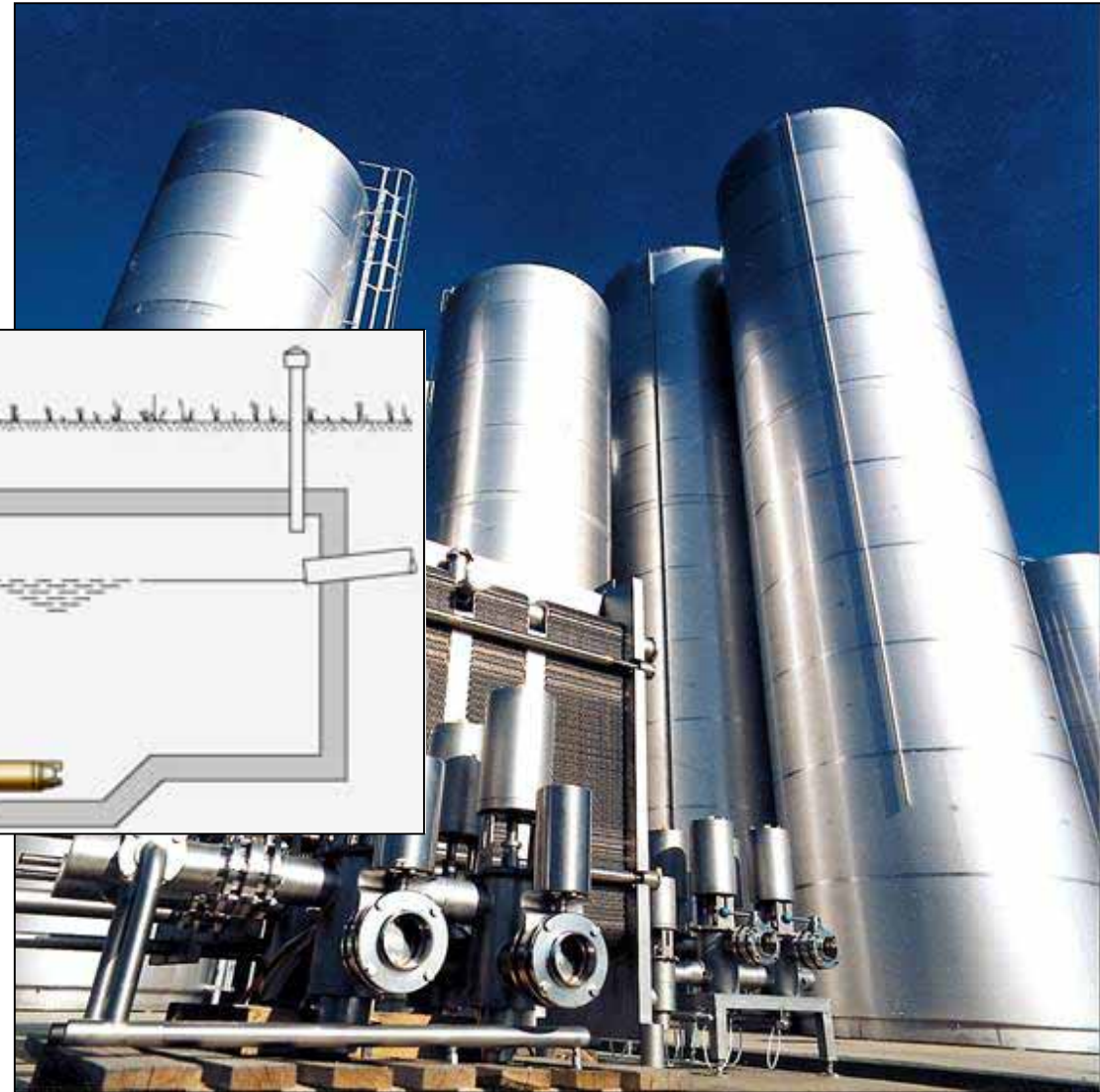
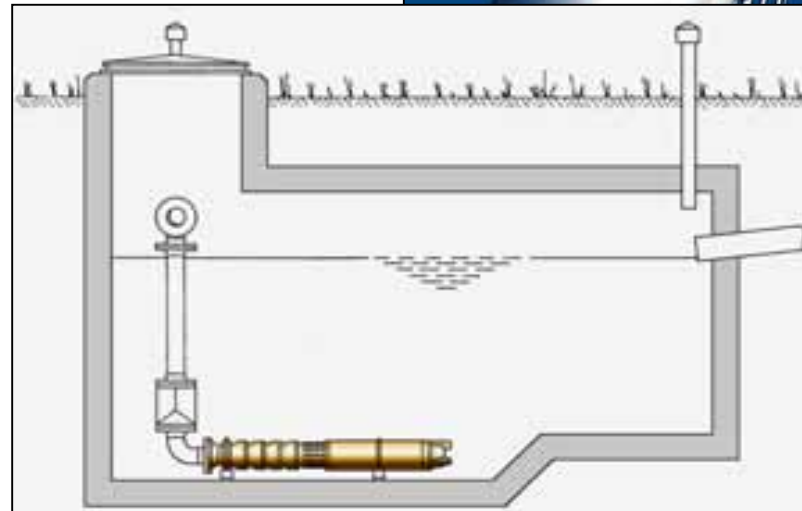
WILO Pumps for industrial applications

Submersible pumps for use in industrial and technical processes

Booster systems

Horizontal tank applications

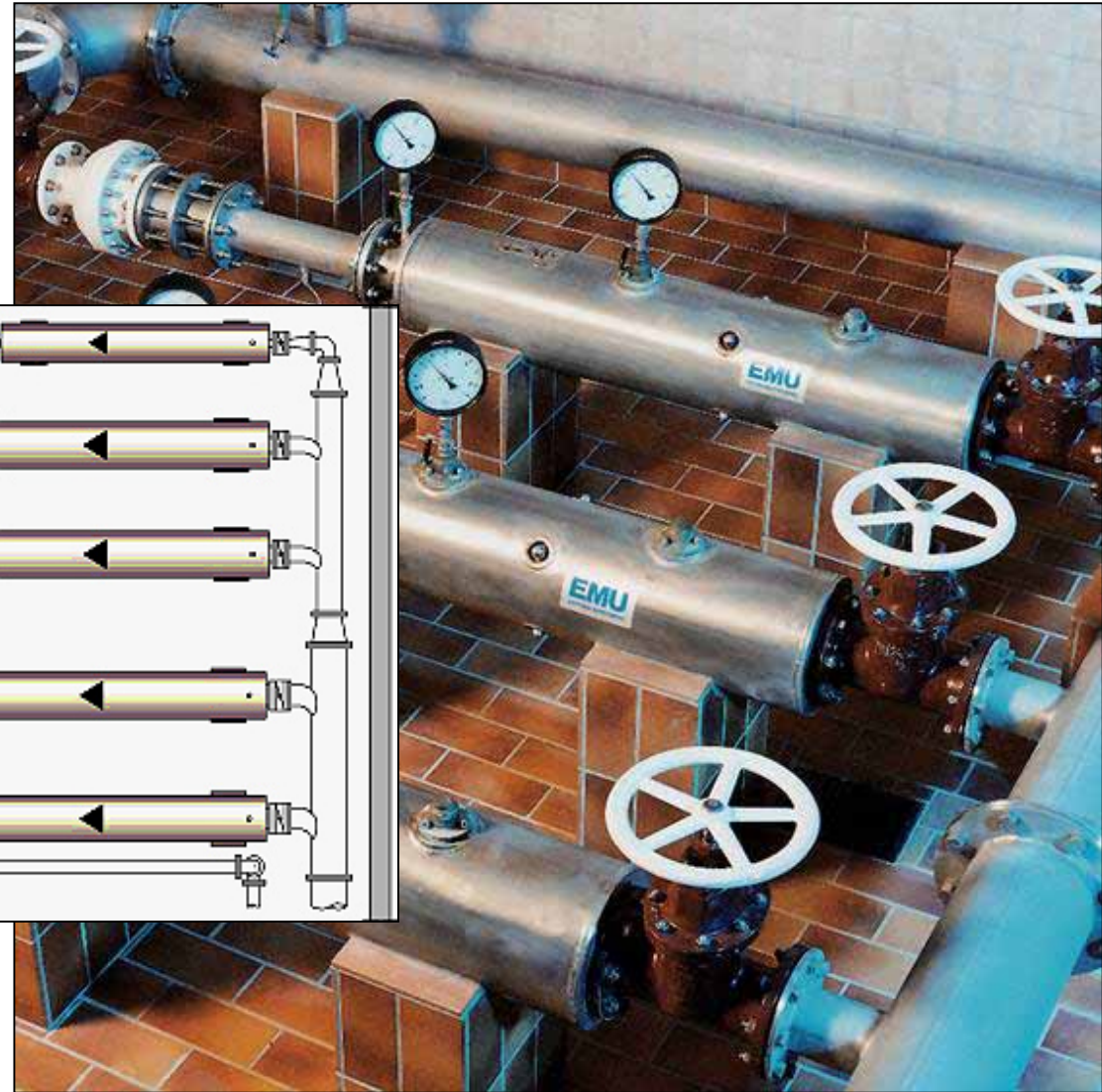
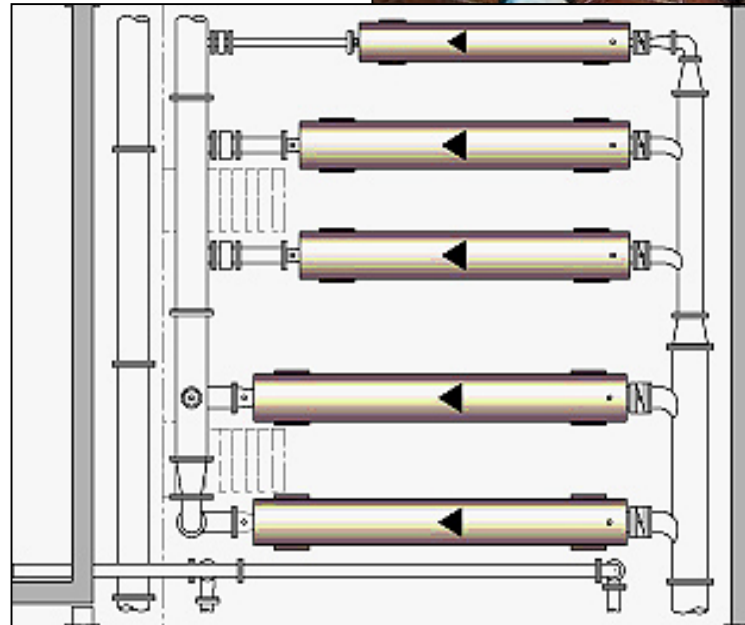
Drainage



WILO Booster plants

WILO Pumps installed as boosters for water supply and circulating systems.

They provide enough water pressure for high buildings, remote parts of cities and municipalities as well as in industrial applications.



WILO Bottom Intake Pump

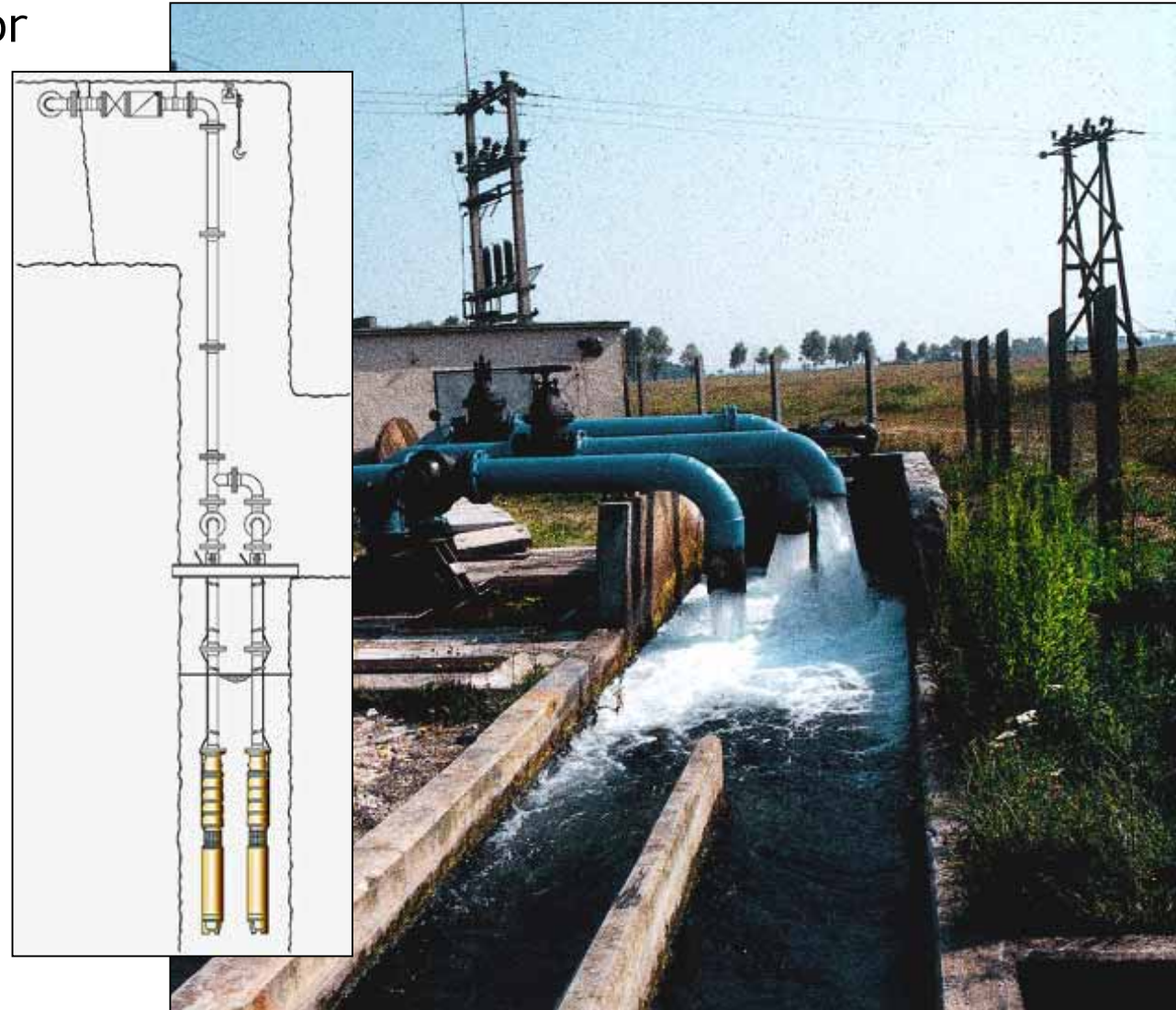
Bottom Intake Pumps were especially developed for pumping low water levels.

The performance range of our pumps lies between a capacity of 150 – 1000m³/h and tot. man. heads up to 150 m.



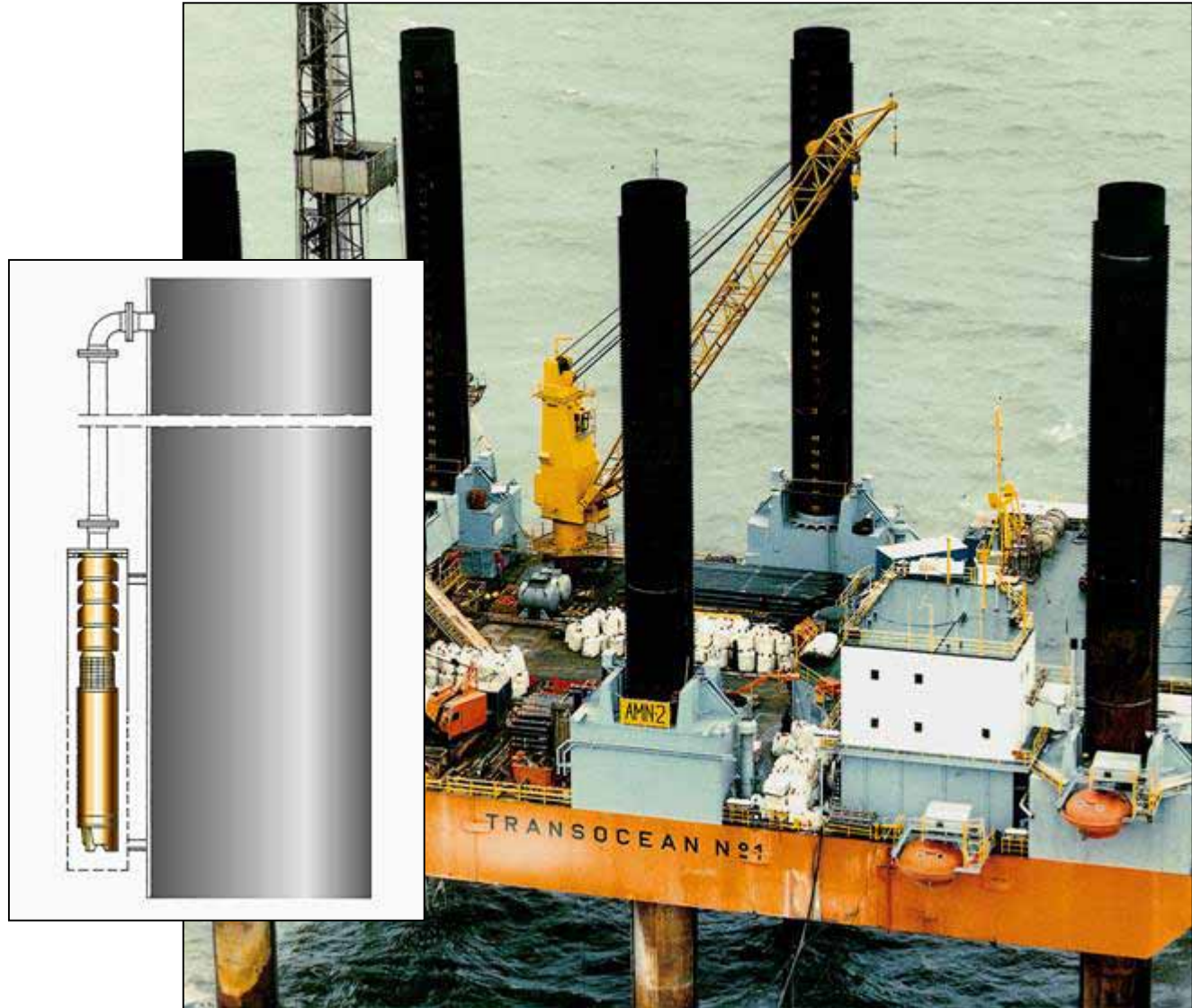
WILO Pumps in mining and civil engineering

WILO Submersible Pumps for application in surface and deep shaft mines and ground water regulation



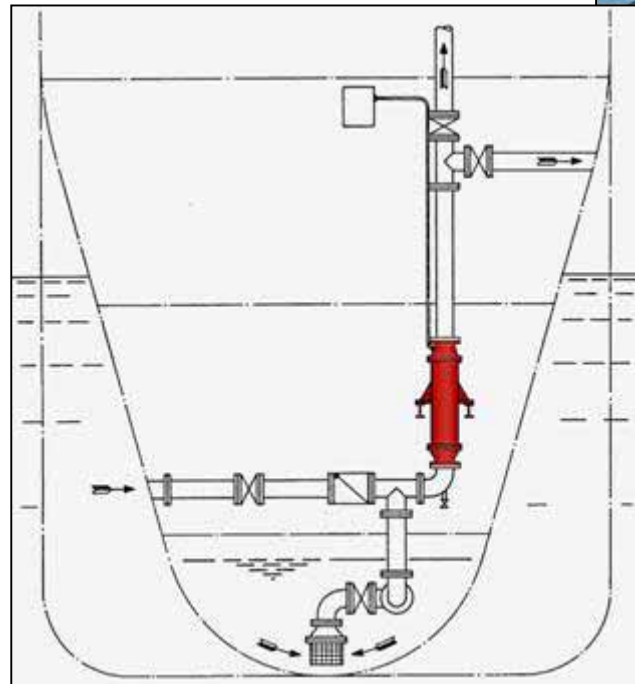
WILO Pumps for off-shore plants

The use of WILO Submersible Pumps on drilling platforms make great demands to their reliability and security of operation, as well as in the material resistance.



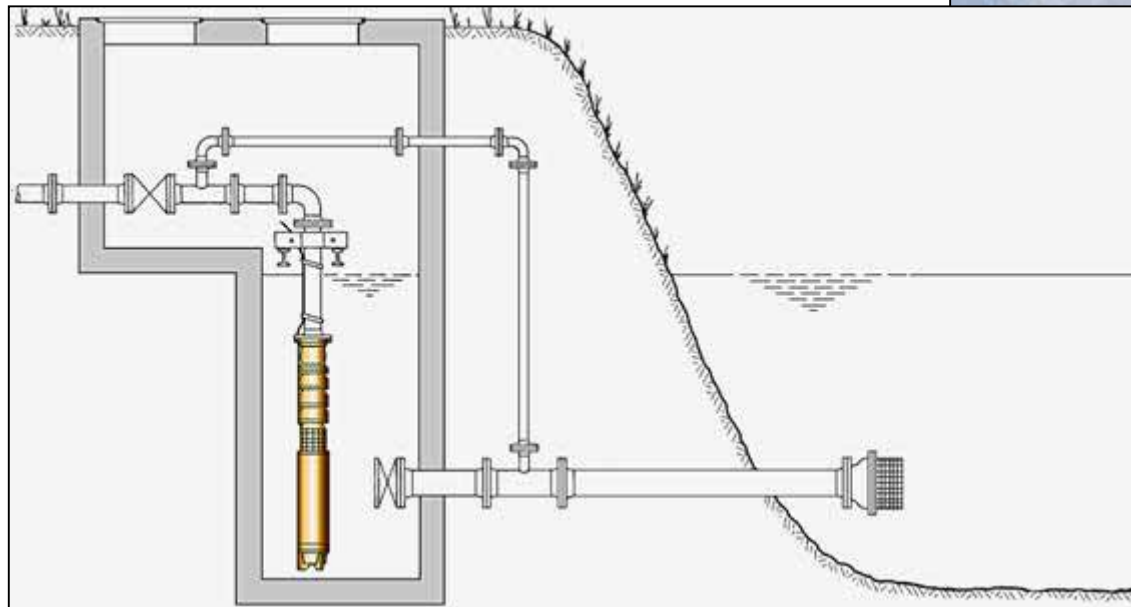
WILO Pumps in ship construction

There are various possibilities to use WILO Submersible Pumps in ship construction and off-shore applications.



WILO Pumps for snow cannons

WILO Submersible Pumps for special applications like leisure parts, snow cannons and fountains.



WILO Sprinkler Pumps, VDS-Certificate

WILO Submersible Pumps for installation in sprinkler and fire fighting systems.

